

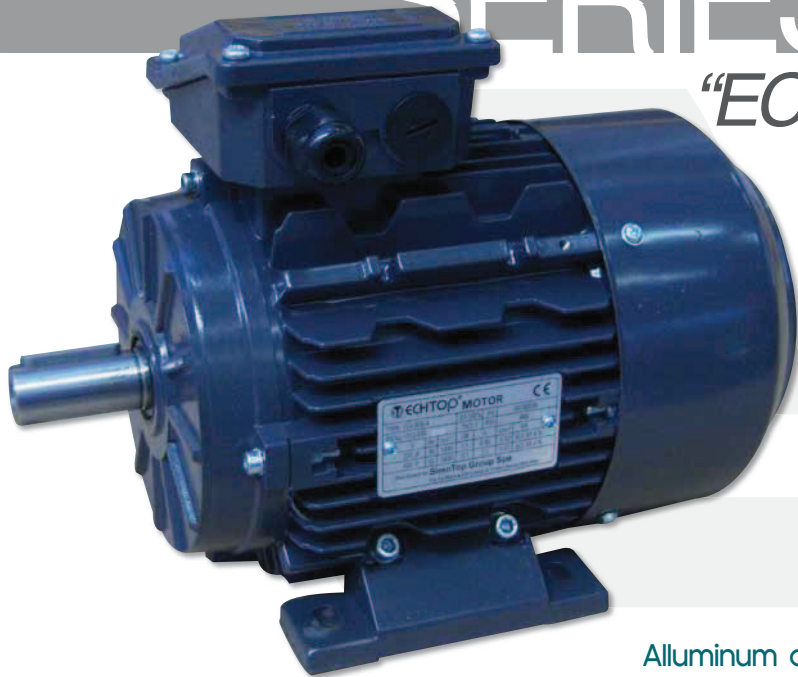
THE LARGEST "JUST IN TIME" STOCK IN EUROPE



electrical and mechanical data

TA SERIES

"ECOL"



Aluminum casing

THE LARGEST "JUST IN TIME" STOCK IN EUROPE



33. TA SERIES - Three-Phase Asynchronous single speed motors

Electrical data (50Hz) Efficiency IE1 - 2 poles

Frame size	Power(Kw)	rpm (rpm/min)	Current In(A) 400V	Eff. (%)	Power factor (cosφ)	Torque Cn (Nm)	Is/In	Cs/Cn	Cmin./Cn	Cmax/Cn
T1A 801-2	0.75	2838	2.06	72.1	0.73	2.52	5	2.2	1.9	2.6
T1A 802-2	1.1	2836	2.90	75	0.73	3.70	5	2.2	1.8	2.6
T1A 90S-2	1.5	2842	3.79	77.2	0.74	5.04	5	2.2	1.8	2.5
T1A 90L-2	2.2	2835	5.04	79.7	0.79	7.41	5.5	2.2	1.8	2.5
T1A 100L-2	3	2841	6.56	81.5	0.81	10.08	5.5	2.3	1.9	2.6
T1A 112M-2	4	2900	8.58	83.1	0.81	13.17	6	2.4	1.9	2.6
T1A 132S1-2	5.5	2895	11.16	84.7	0.84	18.14	6	2.3	2	2.6
T1A 132S2-2	7.5	2900	14.81	86	0.85	24.70	6.4	2.3	2	2.7
T1A 160M1-2	11	2910	20.83	87.6	0.87	36.10	6.3	2.3	2	2.7
T1A 160M2-2	15	2908	28.06	88.7	0.87	49.26	6.8	2.3	2	2.7
T1A 160L-2	18.5	2912	33.60	89.3	0.89	60.67	7	2.3	2	2.7
T1A 180M-2	22	2920	39.69	89.9	0.89	71.95	7.2	2.3	2	2.6
T1A 200L1-2	30	2915	53.64	90.7	0.89	98.28	7	2.3	2	2.6
T1A 200L2-2	37	2920	65.80	91.2	0.89	121.00	7.2	2.3	2	2.7

Electrical data (50Hz) Efficiency IE1 - 4 poles

Frame size	Power(Kw)	rpm (rpm/min)	Current In(A) 400V	Eff. (%)	Power factor (cosφ)	Torque Cn (Nm)	Is/In	Cs/Cn	Cmin./Cn	Cmax/Cn
T1A 801-4	0.55	1410	1.6	72.0	0.71	3.86	4.3	2.3	1.9	2.3
T1A 802-4	0.75	1410	2.00	72.1	0.75	5.08	5.4	2.2	1.9	2.6
T1A 90S-4	1.1	1415	2.71	75	0.78	7.42	5.3	2.2	1.8	2.6
T1A 90L-4	1.5	1410	3.60	77.2	0.78	10.16	5.5	2.2	1.8	2.5
T1A 100L1-4	2.2	1420	4.98	79.7	0.80	14.79	6	2.2	1.8	2.5
T1A 100L2-4	3	1420	6.64	81.5	0.80	20.17	6	2.3	1.9	2.6
T1A 112M-4	4	1425	8.47	83.1	0.82	26.81	6.3	2.4	1.9	2.6
T1A 132S-4	5.5	1420	11.29	84.7	0.83	36.99	6.5	2.3	2	2.6
T1A 132M-4	7.5	1420	14.81	86	0.85	50.44	6.4	2.3	2	2.7
T1A 160M-4	11	1430	21.32	87.6	0.85	73.46	6.8	2.3	2	2.7
T1A 160L-4	15	1435	27.74	88.7	0.88	99.82	6.7	2.3	2	2.7
T1A 180M-4	18.5	1435	33.98	89.3	0.88	123.11	7.2	2.3	2	2.7
T1A 180L-4	22	1450	40.60	89.9	0.87	144.89	7.3	2.3	2	2.6
T1A 200L-4	30	1450	53.64	90.7	0.89	197.57	7.6	2.3	2	2.6

33. TA SERIES - Three-Phase Asynchronous single speed motors

Electrical data (50Hz) Efficiency IE1- 6 poles

Frame size	Power(Kw)	rpm (rpm/min)	Current In(A) 400V	Eff. (%)	Power factor (cosφ)	Torque Cn (Nm)	Is/In	Cs/Cn	Cmin/Cn	Cmax/Cn
T1A 801-6	0.37	900	1.1	66	0.71	3.93	3	1.9	1.6	2
T1A 802-6	0.55	900	1.6	67	0.71	5.84	3.5	2.1	1.8	2.2
T1A 90S-6	0.75	930	2.15	70	0.72	7.70	5.3	2.2	1.9	2.6
T1A 90L-6	1.1	930	3.02	72.9	0.72	11.29	5	2.2	1.8	2.6
T1A 100L-6	1.5	935	3.94	75.2	0.73	15.32	4.9	2.2	1.8	2.5
T1A 112M-6	2.2	935	5.60	77.7	0.73	22.47	5.7	2.2	1.8	2.5
T1A 132S-6	3	935	7.44	79.7	0.73	30.64	6.3	2.3	1.9	2.6
T1A 132M1-6	4	940	9.59	81.4	0.74	40.64	6.2	2.4	1.9	2.6
T1A 132M2-6	5.5	940	12.57	83.1	0.76	55.87	6.8	2.3	2	2.6
T1A 160M-6	7.5	950	16.82	84.7	0.76	75.39	7	2.3	2	2.7
T1A 160L-6	11	955	23.56	86.4	0.78	109.99	7.3	2.3	2	2.7
T1A 180L-6	15	955	31.25	87.7	0.79	149.99	7.2	2.3	2	2.7
T1A 200L1-6	18.5	960	36.31	88.6	0.83	184.02	6.9	2.3	2	2.7
T1A 200L2-6	22	960	42.89	89.2	0.83	218.84	7.3	2.3	2	2.6

Electrical data (50Hz) - 8 poles

Frame size	Power(Kw)	rpm (rpm/min)	Current In(A) 400V	Eff. (%)	Power factor (cosφ)	Torque Cn (Nm)	Is/In	Cs/Cn	Cmin/Cn	Cmax/Cn
T1A 801-8	0,18	670	0.83	52	0.62	2.6	3	1.6	1.1	2
T1A 802-8	0,25	670	1	61	0.62	3.6	3	1.8	1.3	2
T1A 90S-8	0.37	680	1.3	64	0.63	5.2	3.2	1.8	1.3	2
T1A 90L-8	0.55	690	1.9	67	0.63	7.6	3.4	1.8	1.3	2
T1A 100L-8	0.75	690	2.5	68	0.64	10.4	3.4	2	1.7	2.1
T1A 100L-8	1.1	690	3.5	70	0.64	15.2	3.4	2	1.7	2.1
T1A 112M-8	1.5	700	4.6	73	0.65	20.5	3.5	1.9	1.6	2.1
T1A 132S-8	2.2	705	5.7	78	0.71	29.8	4.6	1.9	1.6	2.1
T1A 132M1-8	3	710	7.6	79	0.72	40.4	5	1.9	1.6	2.2
T1A 160M1-8	4	710	9.9	80	0.73	53.8	5	2	1.7	2.3
T1A 160M2-8	5.5	715	13	82	0.73	73	5.2	2	1.7	2.1
T1A 160L-8	7.5	720	17	84	0.74	100	5.4	2.1	1.8	2.2
T1A 180L-8	11	730	24	86	0.76	144	5.1	2.1	1.8	2.2
T1A 200L-8	15	730	33	87	0.76	196	5.3	2.1	1.8	2.2

Electrical data (50Hz) Efficiency IE2 - 2 poles

Frame size	Power(Kw)	rpm (rpm/min)	Current In(A) 400V	Eff. (%)	Power factor (cosφ)	Torque Cn (Nm)	Is/In	Cs/Cn	Cmin/Cn	Cmax/Cn
T2A 801-2	0.75	2848	1.86	77.4	0.75	2.51	6	2.7	2.1	2.8
T2A 802-2	1.1	2846	2.52	79.6	0.79	3.69	6.7	2.7	2.1	2.9
T2A 90S-2	1.5	2852	3.17	81.3	0.84	5.02	6.1	2.3	2	2.7
T2A 90L-2	2.2	2845	4.54	83.2	0.84	7.38	7	2.6	2.1	2.7
T2A 100L-2	3	2851	5.75	84.6	0.89	10.05	7.6	2.5	2	2.8
T2A 112M-2	4	2910	7.56	85.8	0.89	13.13	7.8	2.5	2	2.7
T2A 132S1-2	5.5	2905	10.25	87	0.89	18.08	7.8	2.4	2	2.9
T2A 132S2-2	7.5	2910	13.96	88.1	0.88	24.61	7.9	2.7	2	2.8
T2A 160M1-2	11	2920	19.73	89.4	0.90	35.97	7.9	2.2	2.1	3
T2A 160M2-2	15	2918	26.35	90.3	0.91	49.09	7.9	2.3	2.1	3
T2A 160L-2	18.5	2922	31.93	90.9	0.92	60.46	8	2.4	2.1	2.9
T2A 180M-2	22	2930	39.08	91.3	0.89	71.70	7.5	2.3	2	2.8
T2A 200L1-2	30	2925	53.49	92	0.88	97.94	6.7	2.4	2	2.7
T2A 200L2-2	37	2930	64.15	92.5	0.90	120.59	6.3	2.3	2	2.7

Electrical data (50Hz) Efficiency IE2 - 4 poles

Frame size	Power(Kw)	rpm (rpm/min)	Current In(A) 400V	Eff. (%)	Power factor (cosφ)	Torque Cn (Nm)	Is/In	Cs/Cn	Cmin/Cn	Cmax/Cn
T2A 802-4	0.75	1420	1.79	79.6	0.76	5.04	5.4	2.3	2.1	2.9
T2A 90S-4	1.1	1425	2.50	81.4	0.78	7.37	5.9	2.3	2.1	2.7
T2A 90L-4	1.5	1420	3.31	82.8	0.79	10.09	6.4	2.4	2	2.7
T2A 100L1-4	2.2	1430	4.59	84.3	0.82	14.69	6.6	2.4	2.1	2.9
T2A 100L2-4	3	1430	6.33	85.5	0.80	20.03	6.9	2.4	2	2.8
T2A 112M-4	4	1435	8.44	86.6	0.79	26.62	7.9	2.5	2	3
T2A132S-4	5.5	1430	11.04	87.7	0.82	36.73	7.1	2.3	2	2.8
T2A 132M-4	7.5	1430	14.70	88.7	0.83	50.08	7.8	2.3	2	2.7
T2A160M-4	11	1440	19.43	89.8	0.91	72.95	7.9	2.5	2.1	2.8
T2A 160L-4	15	1445	25.92	90.8	0.92	99.13	7.8	2.4	2.1	2.9
T2A 180M-4	18.5	1445	33.66	91.2	0.87	122.26	7.8	2.4	2.1	3
T2A 180L-4	22	1460	38.95	91.6	0.89	143.89	7.5	2.3	2	3
T2A 200L-4	30	1460	53.31	92.3	0.88	196.22	7.9	2.4	2	2.7

33. TA SERIES - Three-Phase Asynchronous single speed motors

Electrical data (50Hz) Efficiency IE2 - 6 poles

Frame size	Power(Kw)	rpm (rpm/min)	Current In(A) 400V	Eff. (%)	Power factor (cosφ)	Torque Cn (Nm)	Is/In	Cs/Cn	Cmin./Cn	Cmax/Cn
T2A 90S-6	0.75	935	1.88	75.9	0.76	7.66	6.2	2.2	2	2.7
T2A 90L-6	1.1	935	2.54	78.1	0.80	11.23	6	2.3	2.1	2.6
T2A 100L-6	1.5	940	3.31	79.8	0.82	15.24	5.8	2.3	2.1	2.7
T2A 112M-6	2.2	940	4.85	81.8	0.80	22.35	6.4	2.3	2.1	2.9
T2A 132S-6	3	940	6.26	83.3	0.83	30.48	6.3	2.4	2.2	2.8
T2A 132M1-6	4	945	8.12	84.6	0.84	40.42	6.2	2.5	2	2.8
T2A 132M2-6	5.5	945	11.26	86	0.82	55.58	6.8	2.3	1.9	2.8
T2A 160M-6	7.5	955	14.78	87.2	0.84	74.99	7	2.4	1.9	2.7
T2A 160L-6	11	960	21.06	88.7	0.85	109.42	7.3	2.5	2	2.8
T2A 180L-6	15	960	29.08	89.7	0.83	149.21	7.8	2.3	2.1	2.9
T2A 200L1-6	18.5	965	34.75	90.4	0.85	183.07	7.8	2.4	2.1	3.2
T2A 200L2-6	22	965	40.62	90.9	0.86	217.70	7.9	2.3	1.9	3.1

Electrical data (50Hz) Efficiency IE3 - 2 poles

Frame size	Power(Kw)	rpm (rpm/min)	Current In(A) 400V	Eff. (%)	Power factor (cosφ)	Torque Cn (Nm)	Is/In	Cs/Cn	Cmin./Cn	Cmax/Cn
T3A 801-2	0.75	2848	1.79	80.7	0.75	2.51	6	2.7	2.1	2.8
T3A 802-2	1.1	2846	2.43	82.7	0.79	3.69	6.7	2.7	2.1	2.9
T3A 90S-2	1.5	2852	3.06	84.2	0.84	5.02	6.1	2.3	2	2.7
T3A 90L-2	2.2	2845	4.40	85.9	0.84	7.38	7	2.6	2.1	2.7
T3A 100L-2	3	2851	5.59	87.1	0.89	10.05	7.6	2.5	2	2.8
T3A 112M-2	4	2910	7.36	88.1	0.89	13.13	7.8	2.5	2	2.7
T3A 132S1-2	5.5	2905	10.00	89.2	0.89	18.08	7.8	2.4	2	2.9
T3A 132S2-2	7.5	2910	13.65	90.1	0.88	24.61	7.9	2.7	2	2.8
T3A 160M1-2	11	2920	19.34	91.2	0.90	35.97	7.9	2.2	2.1	3
T3A 160M2-2	15	2918	25.89	91.9	0.91	49.09	7.9	2.3	2.1	3
T3A 160L-2	18.5	2922	31.41	92.4	0.92	60.46	8	2.4	2.1	2.9
T3A 180M-2	22	2930	38.49	92.7	0.89	71.70	7.5	2.3	2	2.8
T3A 200L1-2	30	2925	52.74	93.3	0.88	97.94	6.7	2.4	2	2.7
T3A 200L2-2	37	2930	63.33	93.7	0.90	120.59	6.3	2.3	2	2.7

Electrical data (50Hz) Efficiency IE3 - 4 poles

Frame size	Power(Kw)	rpm (rpm/min)	Current In(A) 400V	Eff. (%)	Power factor (cosφ)	Torque Cn (Nm)	Is/In	Cs/Cn	Cmin./Cn	Cmax/Cn
T3A 802-4	0.75	1420	1.73	82.5	0.76	5.04	5.4	2.3	2.1	2.9
T3A 90S-4	1.1	1425	2.42	84.1	0.78	7.37	5.9	2.3	2.1	2.7
T3A 90L-4	1.5	1420	3.21	85.3	0.79	10.09	6.4	2.4	2	2.7
T3A 100L1-4	2.2	1430	4.47	86.7	0.82	14.69	6.6	2.4	2.1	2.9
T3A 100L2-4	3	1430	6.17	87.7	0.80	20.03	6.9	2.4	2	2.8
T3A 112M-4	4	1435	8.25	88.6	0.79	26.62	7.9	2.5	2	3
T3A 132S-4	5.5	1430	10.81	89.6	0.82	36.73	7.1	2.3	2	2.8
T3A 132M-4	7.5	1430	14.43	90.4	0.83	50.08	7.8	2.3	2	2.7
T3A 160M-4	11	1440	19.09	91.4	0.91	72.95	7.9	2.5	2.1	2.8
T3A 160L-4	15	1445	25.55	92.1	0.92	99.13	7.8	2.4	2.1	2.9
T3A 180M-4	18.5	1445	33.15	92.6	0.87	122.26	7.8	2.4	2.1	3
T3A 180L-4	22	1460	38.37	93	0.89	143.89	7.5	2.3	2	3
T3A 200L-4	30	1460	52.57	93.6	0.88	196.22	7.9	2.4	2	2.7



34. TA SERIES - Weight TAIE1

Electrical data (50Hz) Efficiency IE3 - 6 poles

Frame size	Power(Kw)	rpm (rpm/min)	Current In(A) 400V	Eff. (%)	Power factor (cosφ)	Torque Cn (Nm)	Is/In	Cs/Cn	Cmin./Cn	Cmax/Cn
T3A 90S-6	0.75	935	1.81	78.9	0.76	7.66	6.2	2.2	2	2
T3A 90L-6	1.1	935	2.45	81	0.80	11.23	6	2.3	2.1	2.1
T3A 100L-6	1.5	940	3.20	82.5	0.82	15.24	5.8	2.3	2.1	2.1
T3A 112M-6	2.2	940	4.71	84.3	0.80	22.35	6.4	2.3	2.1	2.1
T3A 132S-6	3	940	6.09	85.6	0.83	30.48	6.3	2.4	2.2	2.2
T3A 132M1-6	4	945	7.92	86.8	0.84	40.42	6.2	2.5	2	2
T3A 132M2-6	5.5	945	11.00	88	0.82	55.58	6.8	2.3	1.9	1.9
T3A 160M-6	7.5	955	14.46	89.1	0.84	74.99	7	2.4	1.9	1.9
T3A 160L-6	11	960	20.69	90.3	0.85	109.42	7.3	2.5	2	2
T3A 180L-6	15	960	28.60	91.2	0.83	149.21	7.8	2.3	2.1	2.1
T3A 200L1-6	18.5	965	34.26	91.7	0.85	183.07	7.8	2.4	2.1	2.1
T3A 200L2-6	22	965	40.05	92.2	0.86	217.70	7.9	2.3	1.9	1.9

Frame size	Kw	Weight kg				
		B3	B14	B5	B34	B35
801-2	0,75	8,90	8,90	9,00	9,50	9,50
802-2	1,10	10,10	10,10	10,20	10,50	10,50
90S-2	1,50	12,30	12,30	12,36	12,80	12,80
90L1-2	2,20	15,50	15,50	15,80	16,00	16,00
100L1-2	3,00	22,40	22,40	22,50	22,80	22,80
112M-2	4,00	26,40	26,40	26,50	26,80	26,80
132S1-2	5,50	41,30	41,30	44,00	44,50	44,50
132S2-2	7,50	43,00	43,00	43,20	43,60	43,60
160M1-2	11,00	81,00	81,00	82,30	82,70	82,70
160M2-2	15,00	83,00	83,00	84,10	84,60	84,60
160L-2	18,50	97,30	97,30	97,90	98,40	98,40
180M-2	22,00	128,00		129,80		130,00
200L1-2	30,00	147,50		150,00		151,00
200L2-2	37,00	169,00		170,00		171,50

Frame size	Kw	Weight kg				
		B3	B14	B5	B34	B35
801-4	0,55	8,20	8,20	8,25	8,75	8,75
802-4	0,75	9,80	9,80	10,10	10,40	10,40
90S-4	1,10	12,30	12,30	12,50	13,10	13,10
90L1-4	1,50	15,10	15,10	15,20	15,50	15,50
100L1-4	2,20	24,10	24,10	24,10	26,50	26,50
100L2-4	3,00	24,50	24,50	25,10	26,90	26,90
112M-4	4,00	29,50	29,50	31,50	32,20	32,20
132S-4	5,50	43,60	43,60	44,00	45,20	45,20
132M-4	7,50	54,50	54,50	55,00	56,50	56,50
160M-4	11,00	78,50	78,50	79,80	80,20	80,20
160L1-4	15,00	93,60	93,60	95,30	96,40	96,40
180M-4	18,5	118,65		130,00		131,00
180L-4	22	127,50		129,80		132,00
200L-4	30	153,00		155,00		156,70



35. TA SERIES - Weight TAIE2

Frame size	Kw	Weight kg				
		B3	B14	B5	B34	B35
801-6	0,37	8,25	8,25	8,30	8,80	8,80
802-6	0,55	9,75	9,75	10,50	8,80	8,80
90S-6	0,75	12,50	12,50	12,80	13,30	13,30
90L-6	1,10	14,50	14,50	15,30	15,90	15,90
100L-6	1,50	19,90	19,90	20,00	21,30	21,30
112M-6	2,20	32,50	32,50	33,70	34,10	34,10
132S-6	3,00	37,00	37,00	38,20	39,40	39,40
132M1-6	4,00	42,00	42,00	43,10	43,90	43,90
132M2-6	5,50	56,90	56,90	57,80	58,60	58,60
160M-6	7,50	78,00	78,00	79,10	80,20	80,20
160L-6	11,00	98,00	98,00	99,85	101,30	101,30
180L-6	15	124,00		125,20		126,40
200L1-6	18,5	141,00		143,00		144,00
200L2-6	22	157,80		159,00		160,20

Frame size	Kw	Weight kg				
		B3	B14	B5	B34	B35
801-2	0,75	9,50	9,50	9,60	10,00	10,00
802-2	1,10	10,40	10,40	10,60	11,00	11,00
90S-2	1,50	13,50	13,50	14,00	15,00	15,00
90L-2	2,20	16,20	16,20	17,50	17,00	17,00
100L-2	3,00	22,30	22,30	25,00	25,50	25,50
112M-2	4,00	28,70	28,70	31,00	30,00	30,00
132S1-2	5,50	45,40	45,40	46,50	47,00	47,00
132S2-2	7,50	50,00	50,00	51,50	52,00	52,00
160M1-2	11,00	79,00	79,00	82,30	83,50	83,50
160M2-2	15,00	91,00	91,00	91,80	93,10	93,10
160L-2	18,50	101,00	101,00	102,00	102,90	102,90
180M-2	22,00	138,00		142,30		146,70
200L1-2	30,00	158,00		153,70		154,00
200L2-2	37,00	181,30		182,00		183,70

Frame size	Kw	Weight kg				
		B3	B14	B5	B34	B35
801-8	0,18	8,30	8,30	8,20	8,45	8,45
802-8	0,25	9,30	9,30	9,20	9,60	9,60
803-8	0,37	10,50	10,50	11,00	11,60	11,60
90S-8	0,37	11,40	11,40	12,00	12,50	12,50
90L-8	0,55	14,00	14,00	14,50	14,90	14,90
100L1-8	0,75	17,60	17,60	18,03	18,90	18,90
100L2-8	1,10	20,00	20,00	21,00	22,10	22,10
112M-8	1,50	25,30	25,30	25,80	26,90	26,90
132S-8	2,20	39,60	39,60	40,20	41,25	41,25
132M-8	3,00	47,40	47,40	48,45	50,00	50,00
160M1-8	4,00	59,00	59,00	59,00	60,00	60,00
160M2-8	5,50	69,00	69,00	69,00	71,00	71,00
160L-8	7,5	87,00	87,00	87,90	88,60	88,60
180L-8	11	128,00		129,00		132,00
200L-8	15	157,00		158,60		160,30

Frame size	Kw	Weight kg				
		B3	B14	B5	B34	B35
802-4	0,75	10,50	10,50	11,00	11,50	11,50
90S-4	1,10	14,30	14,30	14,50	14,60	14,60
90L-4	1,50	18,00	18,00	18,00	18,50	18,50
100L1-4	2,20	23,40	23,40	24,00	25,00	25,00
100L2-4	3,00	26,30	26,30	28,00	28,50	28,50
112M-4	4,00	35,20	35,20	37,00	36,00	36,00
132S-4	5,50	49,40	49,40	50,00	51,50	51,50
132M-4	7,50	62,30	62,30	62,00	63,00	63,00
160M-4	11,00	83,00	83,00	84,00	84,90	84,90
160L-4	15,00	102,00	102,00	102,60	104,10	104,10
180M-4	18,5	119,00		119,60		121,20
180L-4	22	139,00		139,50		140,40
200L-4	30	169,20		169,80		171,30

36. TA SERIES - Weight TA IE3

Frame size	Kw	Weight kg				
		B3	B14	B5	B34	B35
90S-6	0,75	13,00	13,00	13,20	13,90	13,90
90L-6	1,10	16,00	16,00	16,60	17,40	17,40
100L-6	1,50	20,00	20,00	21,50	22,30	22,30
112M-6	2,20	31,00	31,00	32,00	32,70	32,70
132S-6	3,00	43,00	43,00	44,00	44,90	44,90
132M1-6	4,00	52,00	52,00	53,00	54,20	54,20
132M2-6	5,50	58,50	58,50	59,70	61,30	61,30
160M-6	7,50	78,50	78,50	79,40	80,30	80,30
160L-6	11,00	98,40	98,40	99,50	101,00	101,00
180L-6	15	143,20		144,30		145,50
200L1-6	18,5	158,70		159,80		160,80
200L2-6	22	166,80		167,50		169,10

Frame size	Kw	Weight kg				
		B3	B14	B5	B34	B35
801-2	0,75	11,40	11,40	11,52	12,00	12,00
802-2	1,1	12,48	12,48	12,72	13,20	13,20
90S-2	1,5	16,20	16,20	16,80	18,00	18,00
90L-2	2,2	19,44	19,44	21,00	20,40	20,40
100L-2	3	26,76	26,76	30,00	30,60	30,60
112M-2	4	34,44	34,44	37,20	36,00	36,00
132S1-2	5,5	54,48	54,48	55,80	56,40	56,40
132S2-2	7,5	60,00	60,00	61,80	62,40	62,40
160M1-2	11	94,80	94,80	98,76	100,20	100,20
160M2-2	15	109,20	109,20	110,16	111,72	111,72
160L-2	18,5	121,20	121,20	122,40	123,48	123,48
180M-2	22	153,60		154,56		156,00
200L1-2	30	189,60		184,44		184,80
200L2-2	37	217,56		218,40		220,44

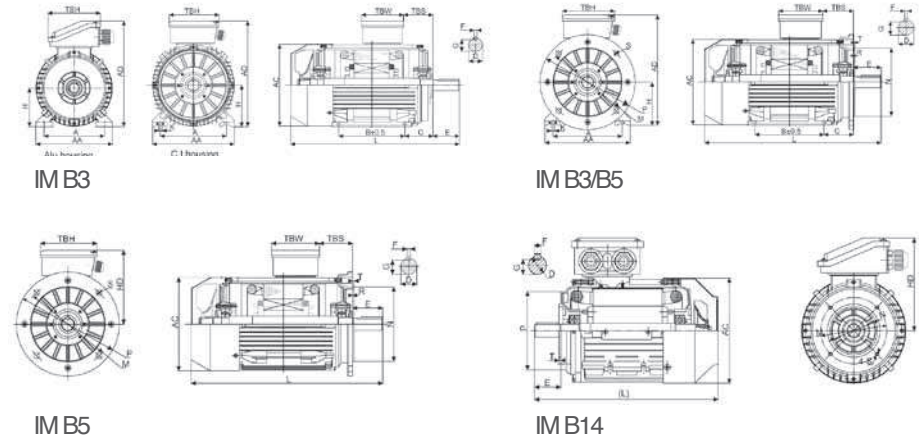
Frame size	Kw	Weight kg				
		B3	B14	B5	B34	B35
802-4	0,75	12,60	12,60	13,20	13,80	13,80
90S-4	1,1	17,16	17,16	17,40	17,52	17,52
90L-4	1,5	21,60	21,60	21,60	22,20	22,20
100L1-4	2,2	28,08	28,08	28,80	30,00	30,00
100L2-4	3	31,56	31,56	33,60	34,20	34,20
112M-4	4	42,24	42,24	44,40	43,20	43,20
132S-4	5,5	59,28	59,28	60,00	61,80	61,80
132M-4	7,5	74,76	74,76	74,40	75,60	75,60
160M-4	11	99,60	99,60	100,80	101,88	101,88
160L-4	15	122,40	122,40	123,12	124,92	124,92
180M-4	18,5	142,80		143,52		145,44
180L-4	22	166,80		167,40		168,48
200L-4	30	203,04		203,76		205,56



37. TA SERIES - Overall and installation dimensions

Frame size	Kw	Weight kg				
		B3	B14	B5	B34	B35
90S-6	0,75	15,60	15,60	15,84	16,68	16,68
90L-6	1,1	19,20	19,20	19,92	20,88	20,88
100L-6	1,5	24,00	24,00	25,80	26,76	26,76
112M-6	2,2	37,20	37,20	38,40	39,24	39,24
132S-6	3	51,60	51,60	52,80	53,88	53,88
132M1-6	4	62,40	62,40	63,60	65,04	65,04
132M2-6	5,5	70,20	70,20	71,64	73,56	73,56
160M-6	7,5	94,20	94,20	95,28	96,36	96,36
160L-6	11	118,08	118,08	119,40	121,20	121,20
180L-6	15	171,84		173,16		174,60
200L1-6	18,5	190,44		191,76		192,96
200L2-6	22	200,16		201,00		202,92

Masures in mm



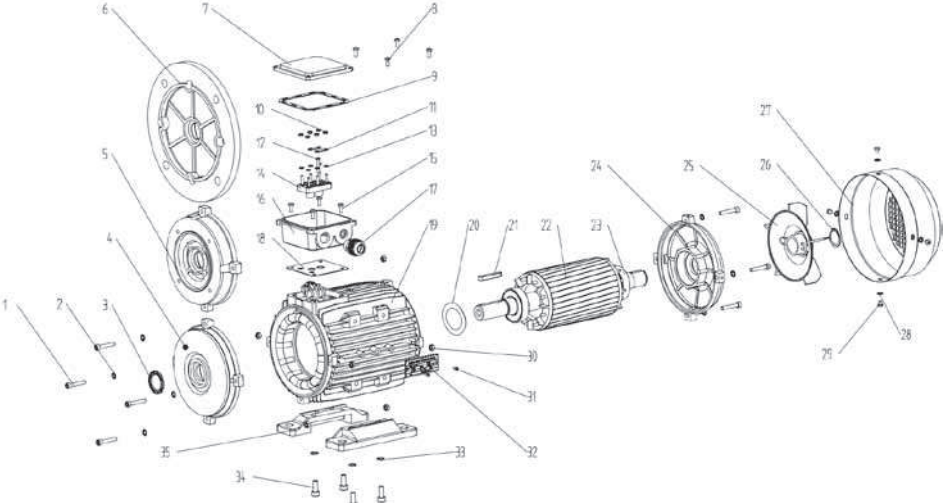
Frame size	B3				Shaft						General						
	H	A	B	C	D	E	F	G	K	AA	AD	HD	AC	L	TBS	TBW	TBH
80	80	125	100	50	Ø19	40	6	15,5	Ø9	160	220	140	158	280	16	97	97
90S/L	90	140	100/125	56	Ø24	50	8	20	Ø10	175	240	150	176	325/350	16	97	97
100	100	160	140	63	Ø28	60	8	24	Ø12	200	265	165	199	388	20	118	118
112	112	190	140	70	Ø28	60	8	24	Ø12	230	291	179	220	405	29	118	118
132S/M	132	216	140/178	89	Ø38	80	10	33	Ø12	255	332	200	259	467/505	29	118	118
160M/L	160	254	210/254	108	Ø42	110	12	37	Ø15	314	402	242	313	605/650	91	162	187
180M/L	180	279	241/279	121	Ø48	110	14	42,5	Ø15	348	439	259	360	687/725	160/180	162	187
200L	200	318	305	133	Ø55	110	16	49	Ø19	388	497	297	399	768	192	186	233

Frame size	B5						B14					
	N	M	P	S	T	R	N	M	P	S	T	R
80	130	165	200	4-Ø12	3,5	0	80	100	118	M6	3	0
90S/L	130	165	200	4-Ø12	3,5	0	95	115	138	M8	3	0
100	180	215	250	4-Ø15	4	0	110	130	158	M8	3,5	0
112	180	215	250	4-Ø15	4	0	110	130	158	M8	3,5	0
132S/M	230	265	300	4-Ø15	4	0	130	165	198	M10	3,5	0
160M/L	250	300	350	4-Ø19	5	0						0
180M/L	250	300	350	4-Ø19	5	0						0
200L	300	350	400	4-Ø19	5	0						0





38. TA SERIES - Exploded drawing spare part list



- | | | |
|-------------------------------|--------------------------------|-----------------------------|
| 1. Screw | 13. Terminal shim | 25. Cooling fan |
| 2. Gasket | 14. Terminal board | 26. Fan circlip |
| 3. Oil seal | 15. Terminal box fixing screws | 27. Fan cover |
| 4. DE endsheld | 16. Terminal box Dase | 28. Fan cover fixing shim |
| 5. B14 nang | 17. Cable gland | 29. Fan cover fixing screws |
| 6. B5 nange | 18. Terminal box bottomgaskel | 30. Endshield fixing nul |
| 7. Terminal box cover | 19. Frame | 31. Rivet |
| 8. Terminal box fixing screws | 20. Preload washer | 32. Nameplate |
| 9. Terminal box upper gasket | 21. Key | 33. Foot fixing nut |
| 10. Terminal box fixing nut | 22. Rotor | 34. Foot fixing screws |
| 11. Terminal bridge | 23. Bearing | 35. Foot |
| 12. Terminal pin | 24. NDE endshield | |